

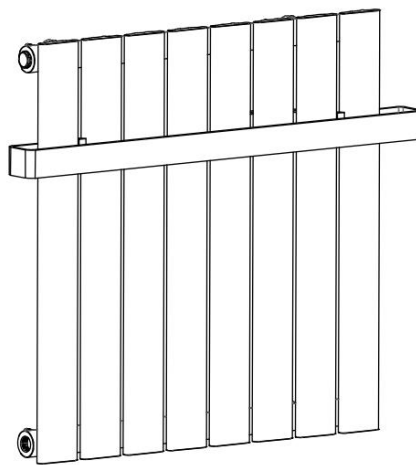
# USER MANUAL



Thank you for choosing Better Bathrooms.  
Please read this manual before installing your product  
and keep for future reference.

**better**   
**bathrooms**

## MOJMB600 MOJMW600 Mojave with a towel bar



Please note: Image is for illustrative purposes only and may differ slightly to the actual product.

- **Multi-person assembly**
- **Tools required**
- **We always recommend using professional tradespeople to install your product**

V1\_18.8.23

# Congratulations on your purchase

*And welcome to our growing gang of savvy shoppers*

We're on a mission to bring you extraordinary bathroom products, for less. From modern to traditional style ceramics, plus the gorgeous fixtures, fittings and furniture to match. So, you can fall in love with your space every single day.

As one of the UK's largest independent bathroom stores, we've received countless awards; including the National Business Awards UK, the Digital Entrepreneur Awards and being placed on The Sunday Times Fast Track 100.

We hope your new product goes above and beyond your expectations. However, should any problems occur, please:

log in to your account and contact our customer services team via your self-serve portal – [betterbathrooms.com/CustomerAccount/Login](https://betterbathrooms.com/CustomerAccount/Login)

contact us via [betterbathrooms.com/content/contact-us](https://betterbathrooms.com/content/contact-us)

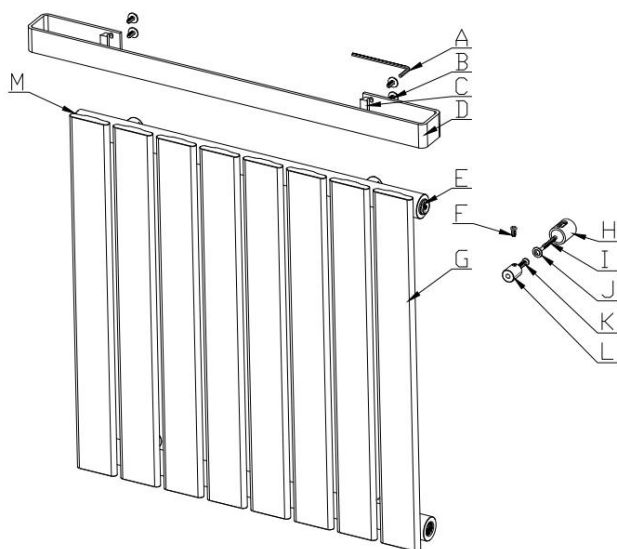
## Important information

- Please read these instructions thoroughly and retain for future reference
- Manufactured to BS EN 442-1 Radiators and convectors
- Please ensure that the product is checked for damage prior to installation, any damage reported after installation will not be covered.
- The pipework must be flushed out to remove any debris which can affect the function of this product.
- A corrosion inhibitor should be used in your installation.

BTU & Wattage info-

Product Code	BTU	Wattage
MOJMB600	1456	427
MOJMW600	1456	427

# Parts



- A. 1 x Allen Key
- B. 4 x Socket Head Screw
- C. 2 x Sliding Block
- D. 1 x Towel Bar
- E. 1 x Air Vent
- F. 4 x Pan Head Screw
- G. 1 x Radiator
- H. 4 x Bracket Base
- I. 4 x Wall Screw
- J. 8 x Washer
- K. 4 x Bracket screw
- L. 4 x Bracket Insert
- M. 1 x Plug

Please note that Parts are for illustrative purposes only and may differ slightly to the actual product

## Tools required

- Spanner
- Flathead screwdriver
- Philips screwdriver
- Tape measure
- Drill
- Spirit Level
- Pencil
- Sealing tape

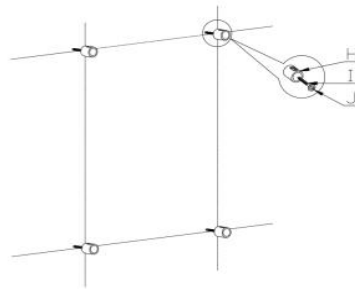
# Installation

**Please note:** Before starting any installation, turn off the water supply.

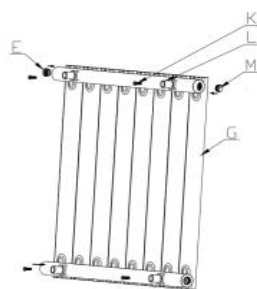
**Please note:** Before commencing any installation, the desired location should be checked before drilling, that no pipes or wires can be damaged.

First, prepare the water supply pipes to match up with the towel radiator and valve dimensions being used. Fit the radiator valve tail and nut into the towel rail (not supplied) (at both sides) and using sealing tape, tighten into position, then follow the installation below.

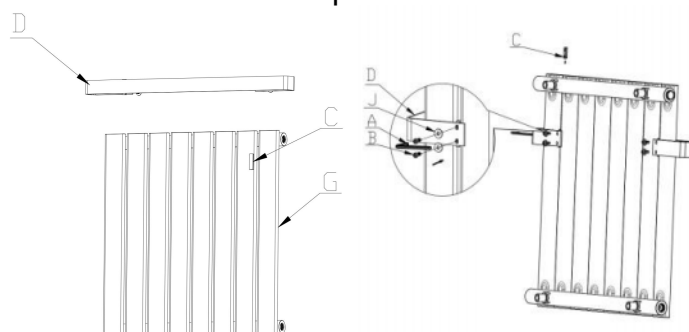
1. Decide on the location where the towel rack needs to be fitted and mark the positions using a pencil and a level. Drill 8 mm holes on the masonry wall and place the wall plugs into the holes.
2. Place a washer onto a wall screw and then put the screw through the bracket base, and mount the bracket base onto the wall. Repeat for the remaining three bracket bases.



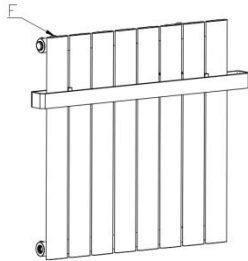
3. Screw the 4 bracket inserts (support) into the bracket bases to the radiator using M5 screws provided (securing each with a washer).



4. Fix the towel bar in the corresponding position on the product, then put the screws through the holes on towel bar and screw them into the sliding block (sliding block C placed in the middle of 2 vertical tubes in the appropriate position) on the front side, and then fix the towel bar on the product.



- Slide the brackets into the wall supports on the radiator and secure the two together with the connecting screws provided (insert through the slot in the bracket) and tighten using the Philips screwdriver, be sure not to over tighten.



- Finally, fit the radiator valves (not supplied) and connect to the pipework. Make sure that all joints are secure. Check that all fittings are fully tightened before filling with water.

**IMPORTANT!** The product is supplied un-filled.

The rail should be filled with a water (80%) and glycol (20%) mixture if **NOT** being connected to the central heating system, also allow 5% air gap.

## After installation

- After the above installation, turn on the water supply and using the flathead screwdriver, open the air vent via the central screw, open the inlet valve and let the water rush into the radiator. Check all connections for leaks.
- Once water overflows from the air vent, this means that there will be no air bubbles present.
- Use a screwdriver to close the air vent and then the radiator is ready to use.

## Cleaning

This radiator is made from steel with a painted finish. To maintain the surface of your product (especially when subjected to steam or splashes), wipe with a clean damp cloth and wipe dry.

Do not use abrasive cleaning agents or materials which can strip and scratch the surface; the use of these agents or materials can invalidate your guarantee.

It is recommended to wipe and dry on a regular basis.

***For more information***

- visit [betterbathrooms.com](http://betterbathrooms.com)
- email [customerservices@buyitdirect.co.uk](mailto:customerservices@buyitdirect.co.uk)
- call 0330 390 3062
- write to Trident Business Park, Neptune Way, Huddersfield, HD2 1UA

**better**   
**bathrooms**

Part of the BuyItDirect Group